

ESG SERIES 2000™



e-Systems
Group | Racks
Consoles
Services

PERFORMANCE BY DESIGN

2016

PERFORMANCE BY DESIGN

The ESG Series 2000 is supported by a solid, high-quality welded chassis. It is highly configurable with multiple heights as well as a variety of cabinet accessories.

- Fully welded frame
- 2500 lbs static-load capacity
- 1750 lbs dynamic-load capacity
- Adjustable rack-mount rails
- Concealed hinge doors with swinghandles
- Doors open 140° and have 81% mesh for air flow
- Upgradeable to electronic access

CONFIGURABLE

The ESG Series 2000 is fully configurable with an array of customization options, such as, but not limited to:

- Side panels
- Interchangeable top and bottom panels
- PDU rails
- Caster kits
- Two- and three- bay retrofitting
- Airflow or solid doors
- Split doors available for single bay
- Single, two, and three bay configurations
- PDU and cable management plates
- Factory assembled to order

AFFORDABLE

Aggressively priced to compete with current market offerings

ECO-FRIENDLY

Coated with an eco-friendly reflective white paint, the ESG Series 2000 will reduce energy costs and footprint of any data center, IT facility, or other mission critical environment. Other standard rack finishes available.

AMERICAN-MADE

The ESG Series 2000 is American-made at the e-Systems Group factory and metal-working facility in upstate New York. Now available for purchase, the ESG Series 2000 is a standardized, expertly engineered enclosure backed by the outstanding quality, quick shipping, and comprehensive customer service standards expected from e-Systems Group.



ESG SERIES 2000

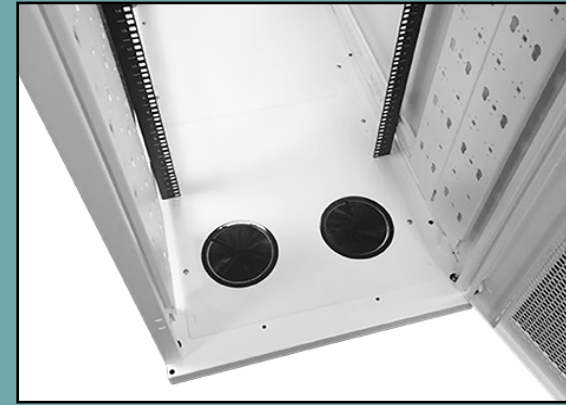
19" CABINET HEIGHTS AND FRAME DEPTHS



- 42U
- 45U
- 48U
- 51U

- 42 inch
- 48 inch

TOP AND BOTTOM PLATES



- Specify Open (No Panels)
- Solid
- Multi 6" Round Grommets
- Lateral Cable Trough

BAY CONFIGURATIONS AND DOOR OPTIONS



- One Bay*
- Two Bays
- Three Bays

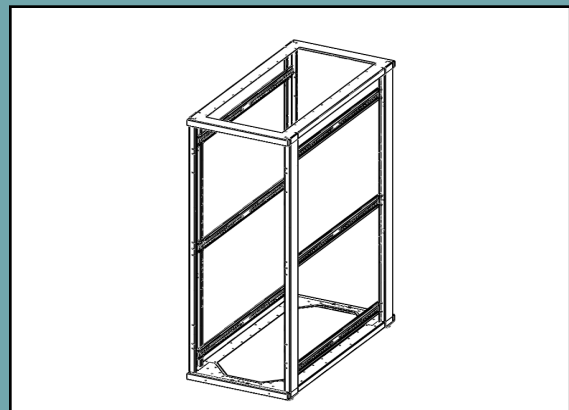
- Solid
- 81% Mesh
- Split*

SIDE PANELS



- (1) Full Length Exterior
- (1) Full Length Interior
- (1 pair) Split Exterior
- (1 pair) Split Interior

STATIC/DYNAMIC LOAD-BEARING CAPACITY



- 4-Post Fully Welded Frame
- Static - 2500 lbs.
- Dynamic - 1750 lbs.

All cabinets include leveling feet; casters optional for all configurations.

ACCESSORIES



- PDU/ Cable Management Plate
- Vertical air seals
- Anti- Tip/Stabilizer
- Interior Top RM Air Seal
- Base Ext. Air Seal - 24"W, 42"W, 48"W
- Cable Chimney (On Multiple Bays)
- Grounding Kit

